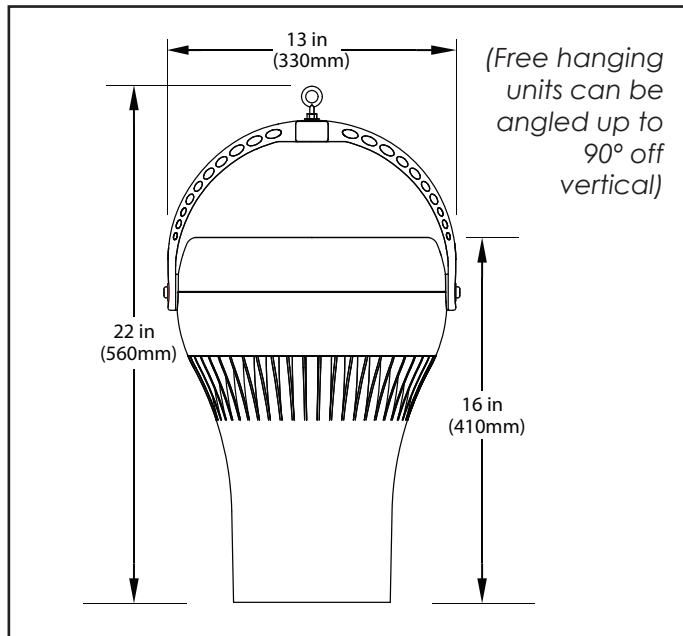


MODEL 15 DIMENSIONS



MODEL 15 PROPERTIES

| UNIT SIZE | Standard | |
|-----------|----------------|-----------------|
| | Weight: | 4.1 kgs (9 lbs) |
| | Height to Rim: | 410 mm (16 in) |
| | Total Height: | 560 mm (22 in) |
| | Diameter: | 330 mm (13 in) |

| MOTOR | 230V | |
|-------|--------------------------|--------------|
| | Watts* @ 50 hz: | 15 |
| | RPM* @ 50 hz: | 1230 |
| | CFM* @ 50 hz (m3/hr): | 406 (690) |
| | AMPS* @ 50 hz: | .06 |

*Motor data provided by motor manufacturer and is subject to change at anytime

COVERAGE

- Floor area = 74m² (800 ft²)
- Diameter = 9.7m (32 ft)
- Ceiling Height = 4m - 5m (13 ft - 18 ft)

MOTOR

- Single Phase
- Shaded pole single speed fan motor
- 1230 rpm @ 50hz

OPERATING TEMPERATURES

- Min start temp (approx.) = -10° C (-14° F)
- Min running temp = -20° C (-4° F)
- Shut off = 110° C (230° F)
- Reset = 90° C (195° F)

NOISE LEVELS

- 3 Metres = 0 - 36dB
- Floor Level = 0 - 30dB

COLOUR

- Cool gray 2C - Off white as standard
- Can be tailor painted to your colour specifications

ACCESSORIES & OPTIONS

- Airius suspended ceiling kit - Allows model 15 Airius unit to be mounted in a suspended ceiling grid
- Airius speed control - TRIAC speed control to adjust top end RPM
- PHI kit - Photohydroionization - Advanced oxidation technology - Used to mitigate air contaminants

WARRANTY

- Warranty offered - 3 years from shipping date

MODEL 15 PLACEMENT

PREPARATION

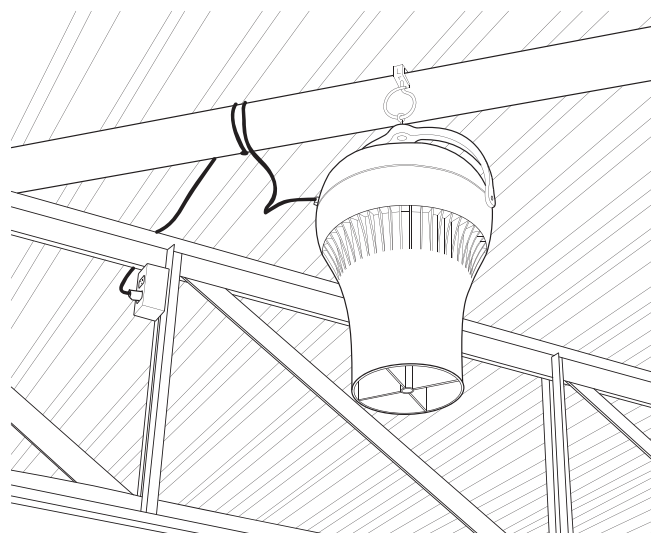
- Install electrical circuit(s) and outlet(s) in accordance with national and local electric codes
- Outlets should generally be mounted vertically unless a "twist/locking" type is being used
- Wall switch may be installed in circuit to disable power and prevent electrical hazards when servicing
- Confirm electrical continuity of Airius unit on the ground before permanently mounting in the ceiling

INSTALLATION

- Hang vertically as high in the ceiling as possible
Typically 12 - 18 inches from the roof deck to intake
- The Airius unit performs best when air column from the nozzle is unimpeded to the floor
- Use professionally installed hardware, capable of supporting a minimum of five times the weight
- Hardware to hang the unit includes but is not restricted to: Hooks, chains, cables, carabiners, bridle rings, beam clamps and bolts
- Density of the placement is directly related to the effectiveness, performance and savings
- Mount out of reach from people and animals
- Floor plans, mezzanines, office locations, machinery, people placement, plumbing, lighting, duct work, electrical systems, natural light/air systems, cranes, doors, windows, ventilation and fire suppression systems are all factors in properly locating the Airius system within the ceiling

OPERATION

- Designed to operate 24 hours-a-day, 7 days-a-week to maintain thermal equalization/humidity equalization
- Use optional speed control to fine tune RPM if needed



MAINTENANCE

- Frequency of cleaning will vary by application and environment
- You may clean the plastic housing with a damp warm cloth, using mild household detergents
- Do not use petroleum products, thinners or solvents to clean any part of the Airius unit
- If the Airius unit fails, contact manufacturer

MATERIALS & PROPERTIES

- Constructed from recyclable materials
- The outer shell, stator and fan blades are fire rated 5VA materials
- Power cord is a 3 wire 18 AWG (or 16 AWG) 300VAC rated electrical cord - CE/EU compliance rated as HO5VV
- Single phase, shaded pole, single speed, axial motor
- Motor is thermally protected. Shutoff is at 110°C (230°F) & reset is at 90°C (195°F)
- 0 - 36 dB(A)* at 50 htz / 0 - 30 dB at floor level
- No lubrication required. Bearings are sealed



Airius LLC, © 2011. All Rights Reserved.