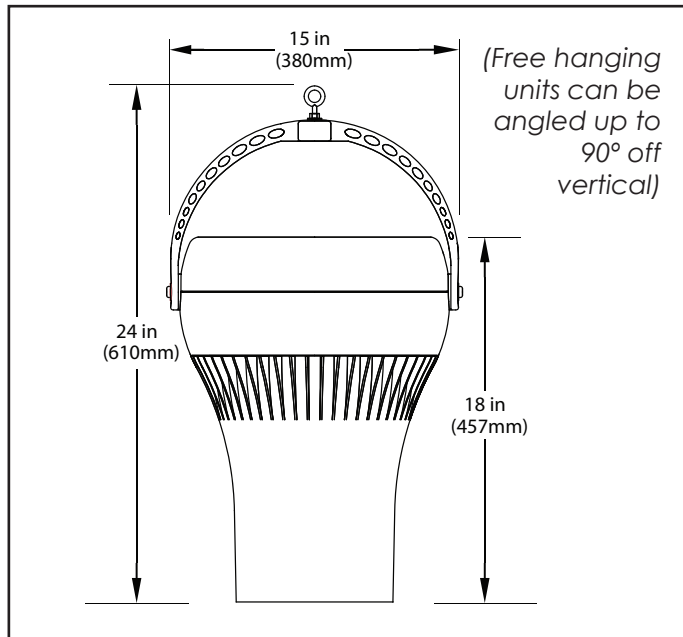


MODEL 45 DIMENSIONS



COVERAGE

- Floor area
 - 45/PS-4 = 111m² (1200 ft²)
 - 45/PS-2 = 139m² (1500 ft²)
- Diameter
 - 45/PS-4 = 12m (40 ft)
 - 45/PS-2 = 13m (44 ft)
- Ceiling Height
 - 45/PS-4 = 8.5m - 12m (27 ft - 38 ft)
 - 45/PS-2 = 12.5m - 14m (39 ft - 45 ft)

MOTOR

- Single Phase
- 45/PS-4 Motor = 1400 rpm @ 50hz
- 45/PS-2 Motor = 2450 rpm @ 50hz
- PSC - Permanent Split Capacitor motor
- All model 45 motors are sourced by EBM PAPST

OPERATING TEMPERATURES

- Min start temp (approx.) = -10° C (-14° F)
- Min running temp = -20° C (-4° F)
- Shut off = 135° C (275° F)
- Reset = 125° C (255° F)

COLOUR

- Cool gray 2C - Off white as standard
- Can be tailor painted to your colour specifications

MODEL 45 PROPERTIES

UNIT SIZE	Standard	
	Weight:	6.4 kgs (14 lbs)
	Height to Rim:	457 mm (18 in)
	Total Height:	610 mm (24 in)
	Diameter:	380 mm (15 in)

45/PS-4 MOTOR	230V	
	Watts* @ 50 hzt:	42
	RPM* @ 50 hzt:	1400
	CFM* @ 50 hzt (m3/hr):	595 (1010)
	AMPS* @ 50 hzt:	.19

*Motor data provided by motor manufacturer and is subject to change at anytime

45/PS-2 MOTOR	230V	
	Watts* @ 50 hzt:	125
	RPM* @ 50 hzt:	2450
	CFM* @ 50 hzt (m3/hr):	1072 (1821)
	AMPS* @ 50 hzt:	0.54

*Motor data provided by motor manufacturer and is subject to change at anytime

NOISE LEVELS

- 3 Metres
 - 45/PS-4 = 0 - 58dB
 - 45/PS-2 = 0 - 79dB
- Floor Level
 - 45/PS-4 = 0 - 34dB
 - 45/PS-2 = 0 - 49dB

ACCESSORIES & OPTIONS

- Airius speed control - TRIAC speed control to adjust top end RPM

WARRANTY

- Warranty offered - 3 years from shipping date

MODEL 45 PLACEMENT

PREPARATION

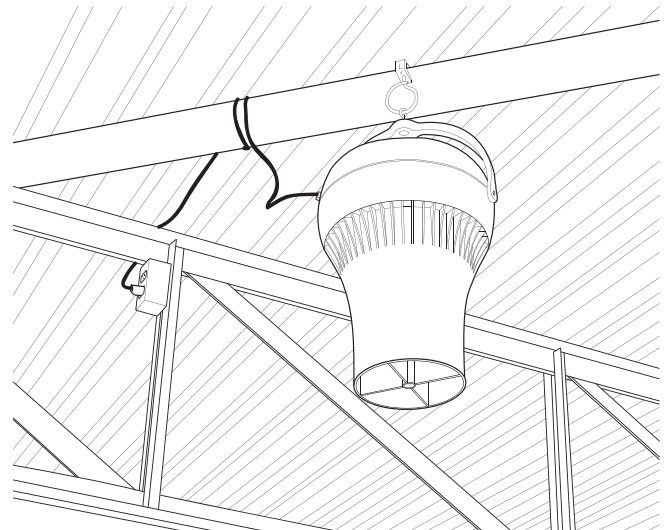
- Install electrical circuit(s) and outlet(s) in accordance with national and local electric codes
- Outlets should generally be mounted vertically unless a "twist/locking" type is being used
- Wall switch may be installed in circuit to disable power and prevent electrical hazards when servicing
- Confirm electrical continuity of Airius unit on the ground before permanently mounting in the ceiling

INSTALLATION

- Hang vertically as high in the ceiling as possible
Typically 12 - 18 inches from the roof deck to intake
- The Airius unit performs best when air column from the nozzle is unimpeded to the floor
- Use professionally installed hardware, capable of supporting a minimum of five times the weight
- Hardware to hang the unit includes but is not restricted to: Hooks, chains, cables, carabiners, bridle rings, beam clamps and bolts
- Density of the placement is directly related to the effectiveness, performance and savings
- Mount out of reach from people and animals
- Floor plans, mezzanines, office locations, machinery, people placement, plumbing, lighting, duct work, electrical systems, natural light/air systems, cranes, doors, windows, ventilation and fire suppression systems are all factors in properly locating the Airius system within the ceiling

OPERATION

- Designed to operate 24 hours-a-day, 7 days-a-week to maintain thermal equalization/humidity equalization
- Use optional speed control to fine tune RPM if needed



MAINTENANCE

- Frequency of cleaning will vary by application and environment
- You may clean the plastic housing with a damp warm cloth, using mild household detergents
- Do not use petroleum products, thinners or solvents to clean any part of the Airius unit
- If the Airius unit fails, contact manufacturer

MATERIALS & PROPERTIES

- Constructed from recyclable materials
- The outer shell, stator and fan blades are fire rated 5VA materials
- Power cord is a 3 wire 18 AWG (or 16 AWG) 300VAC rated electrical cord - CE/EU compliance rated as HO5VV
- Motor is thermally protected. Shutoff is at 135°C (275°F) & reset is at 125°C (255°F)
- 45/PS-4 = 0 - 58 dB(A)* at 50 hzt / 0 - 34 dB at floor level
- 45/PS-2 = 0 - 79 dB(A)* at 50 hzt / 0 - 49 dB at floor level
- No lubrication required. Bearings are sealed



Airius LLC, © 2011. All Rights Reserved.