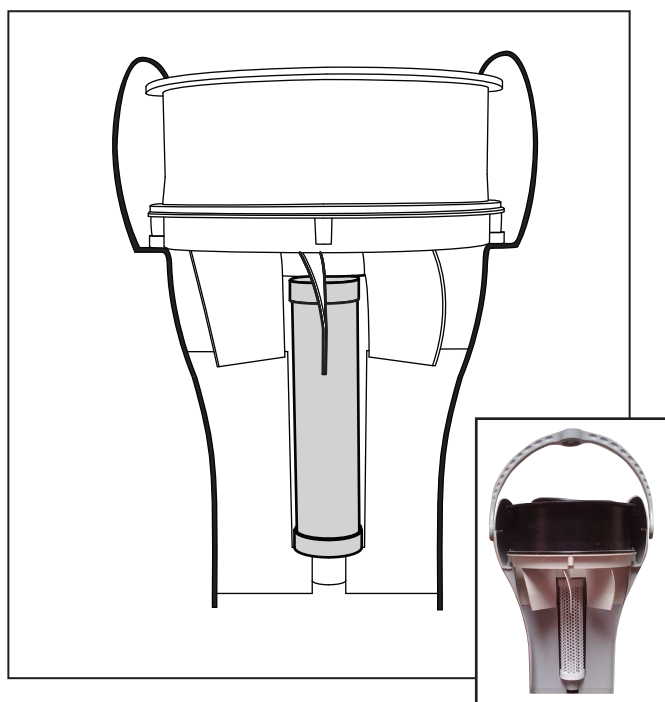


# Airius PHI-Cell™ Kit Product Information Sheet

## Photohydroionization Destratification Unit

The PHI unit creates a very aggressive advanced oxidation atmosphere that reduces airborne bacteria, mould & viruses up to 99%, as well as odours and Volatile Organic Compounds (VOCs) by up to 97%.

### PHI™ KIT - Works with Airius Models 15 & 25



### PHI KIT FEATURES

#### DESCRIPTION

- Photohydroionization kit
- Broad spectrum HE/UV light targeted on a quad metallic target that produces hydroperoxides

#### USES

- Used to flood a space with airborne hydroperoxides
- Used to mitigate airborne bacteria, mould, viruses, smoke, odours and VOCs

#### ATTRIBUTES AND CHARACTERISTICS

- Creates aggressive advanced oxidation atmosphere
- Kills 99% of Bacteria, Viruses and Mould (Surface and Airborne)
- Kills 85% of VOCs and Odours

#### SELECTION

- Works with Airius models 15 and 25
- Contact manufacturer for a selection consultation

### PHI KIT PROPERTIES

|  |                         |          |
|--|-------------------------|----------|
| PHI BULB                                 | Applicable Airius Unit: | 15 - 25  |
|  | Length:                 | 9" PHI   |
|  | Wattage:                | 10 watts |
| *Additional sizes available upon request |                         |          |

#### PERFORMANCE

- Estimated life of 25,000 hours, continuous runtime (3 years)
- Broad spectrum 100-300 nm HE/UV
- Low level ozone (0.01 - 0.02 ppm)

#### WARRANTY

- 3 year unit warranty / 2 year PHI cell warranty

#### SAFETY PRECAUTIONS

- UV bulb is encased in a protective poly tube to prevent any glass or mercury breakage/leakage

#### MATERIALS, DIMENSIONS & PROPERTIES

- High intensity broad spectrum UV tube (100 - 300nm)
- Hydrated catalytic matrix cell (Quad-Metallic)
- UV bulb encased in a protective poly tube
- Entire assembly is encased in a protective metal cell

#### ACCESSORIES & OPTIONS

- Available in Airius models 15 and 25.

#### INSTALLATION

- PHI cell installed at factory

#### OPERATION

- Designed to operate 24 hours-a-day, 7 days-a-week to protect against airborne mould, bacteria, viruses, odours and VOCs

#### MAINTENANCE

- No maintenance required
- If the PHI cell fails, contact manufacturer